



PUMPS AUSTRALIA

BETTER • FASTER • EASIER



JET PRESSURE PUMP

TECHNICAL DATA

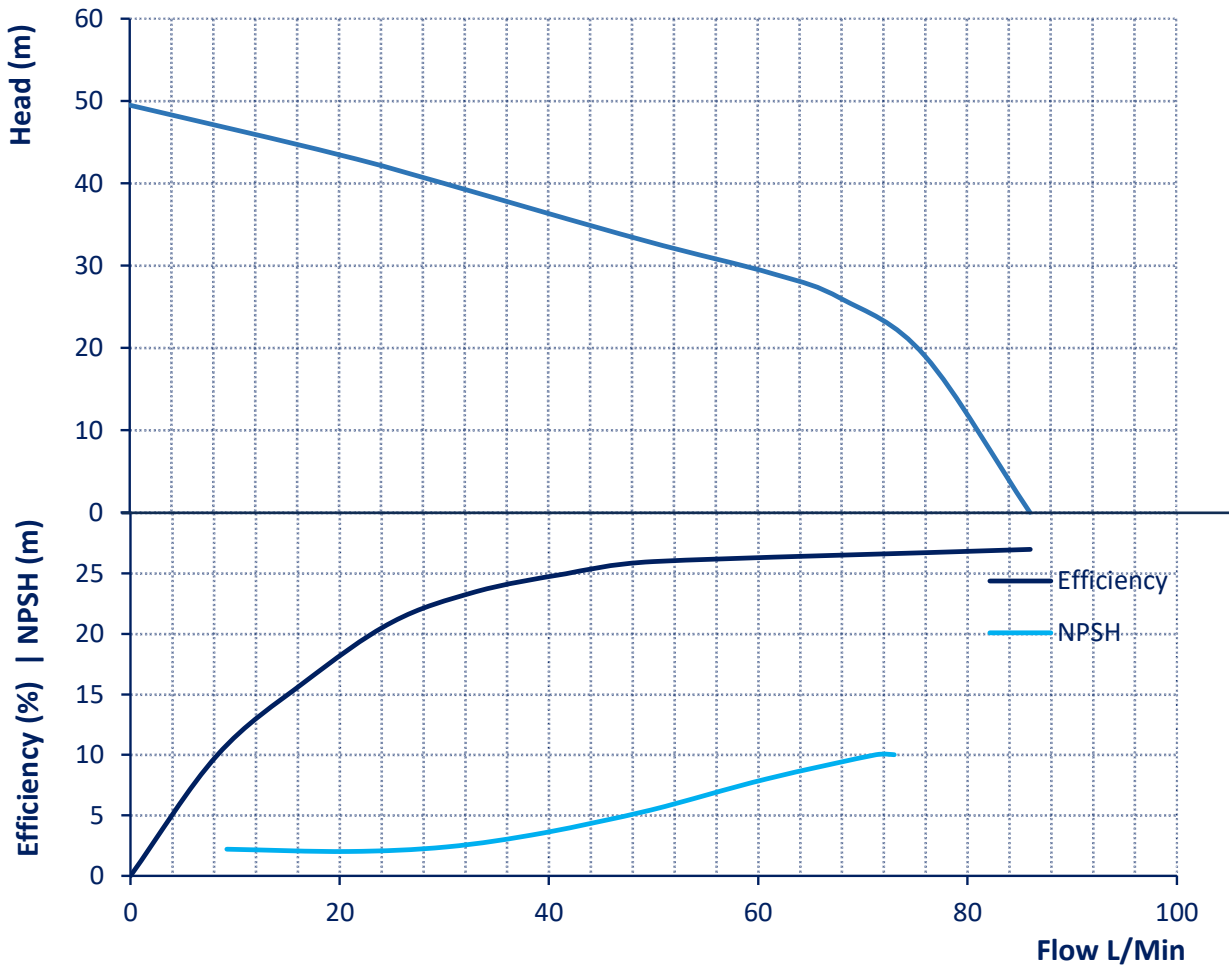
MODEL: PRJ100E
CODE: 20586

MAX HEAD 50M
MAX FLOW 86L/Min
MOTOR POWER 1150W
DISCHARGE SIZE 25MM, 1"



CHARACTERISTIC CURVE & PERFORMANCE DATA

JET PRESSURE PUMP PRJ100E



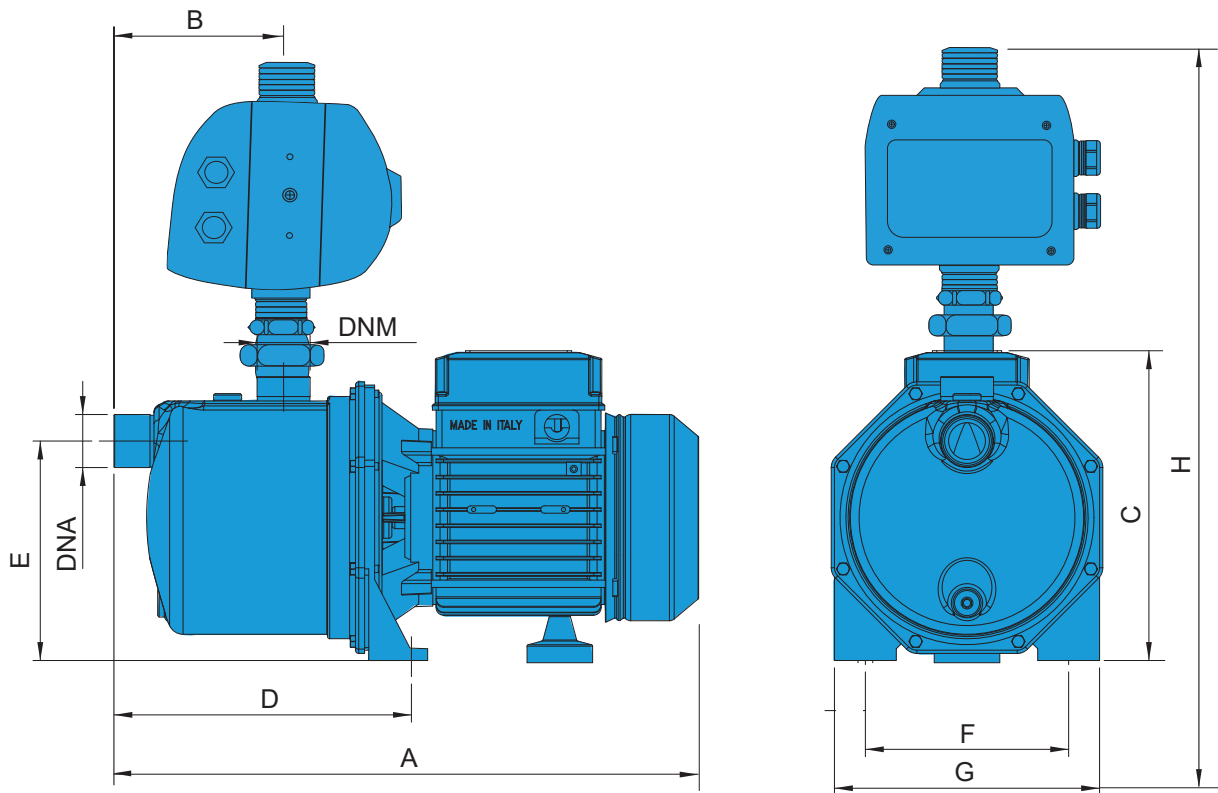
TYPE	Nominal Power (P2)		Input Power (P1)	Capacitor	Input Current
	W	HP			
Single Phase PRJ100E	970	1.2	1150	25 μ F	5.7A

L/MIN	0	20	40	60	80
HEAD (M)	50	43	37	30	10
EFFICIENCY	0	17	25	26	27
NPSH	-	3	4	7	10
SHAFT POWER P2(KW)	1.16	1.18	1.2	1.22	-

NOTE: Efficiency Percentage (%) refers to the percentage of power consumed by the motor during operation. This calculation is taken from the P1 Power.

Ascento Group reserves the right to make changes without prior notice

DIMENSIONS & WEIGHT



JET PRESSURE PUMP PRJ100E

MODEL	DIMENSIONS (MM)										PACKING (MM)			WEIGHT (KG)
	A	B	C	D	E	F	G	H	DNA	DNM	L	W	H	
PRJ100E	420	122	95	210	150	160	225	390	1"	1"	250	190	440	16